

BOKRT THREE ARRIVAL (RNAV)

ATLANTA, GEORGIA

ATLANTA APP CON
 119.8 354.125
 FTY ATIS
 120.175
 LZU ATIS
 132.275
 KMGE ATIS ★
 269.5
 PDK ATIS
 128.4
 RYY ATIS
 128.125

CHEROKEE COUNTY RGNL

LEE GILMER MEML

CARTERSVILLE

KENZI

PAULDING NORTHWEST ATLANTA

BRTEN

BAPPY

COBB COUNTY INTL/MCCOLLUM FLD

GWINNETT COUNTY/BRISCOE FLD

DOBBINS ARB

DEKALB-PEACHTREE

FULTON COUNTY EXEC/CHARLIE BROWN FLD

PONGG

NOTE: RADAR required.
 NOTE: RNAV 1.
 NOTE: GPS required.

PINGG

BOKRT

Turbojets: Expect 11000 250K
 Turboprops: Expect 9000 or 7000
 Reciprocating: Expect 7000 or 5000

ARRIVAL ROUTE DESCRIPTION

KEEPS TRANSITION (KEEPS.BOKRT3):

From BOKRT on track 017° to PINGG, then on track 017° to PONGG, then on track 040° to BRTEN, then on track 075° to BAPPY, then on track 082° to KENZI, then on track 082°. Expect RADAR vectors to final approach course.

LOST COMMUNICATIONS: Cross BOKRT at or below 11000, cross PONGG at or below 7000, cross KENZI at 5000; after KENZI proceed direct to the IAF for desired approach to filed airport.

NOTE: Chart not to scale.

BOKRT THREE ARRIVAL (RNAV)

ATLANTA, GEORGIA

BUKHD THREE ARRIVAL (RNAV)

ATLANTA, GEORGIA

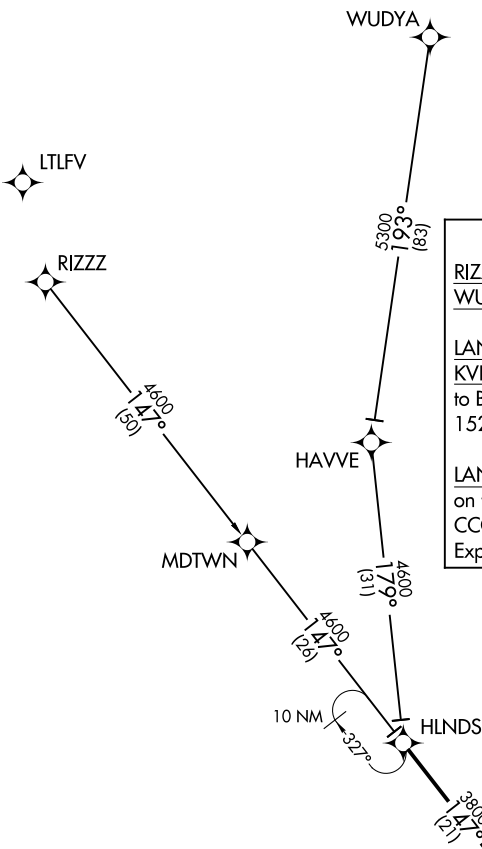
ATLANTA APP CON
 121.0 268.7
 FTY ATIS
 120.175
 LZU ATIS
 132.275
 ★ KMGE ATIS
 269.5
 PDK ATIS
 128.4
 RYY ATIS
 128.125

ARRIVAL ROUTE DESCRIPTION

RIZZZ TRANSITION (RIZZZ.BUKHD3)
WUDYA TRANSITION (WUDYA.BUKHD3)

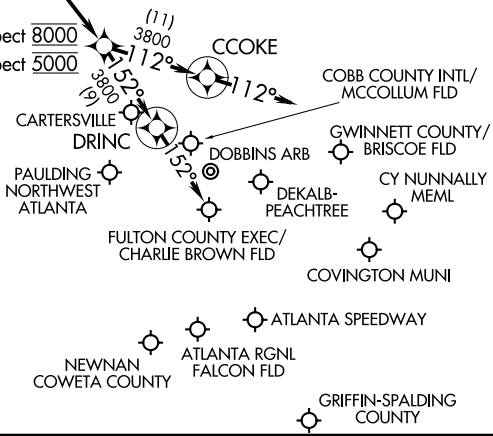
LANDING KHMP/KFFC/KRYY/KFTY/K6A2/KCCO/
 KVPC/KPUJ/KMGE: From HLNDS on track 147°
 to BUKHD, then on track 152° to DRINC, then on track
 152°. Expect RADAR vectors to final approach course.

LANDING KPKD/KD73/KLZU/KCVC: From HLNDS
 on track 147° to BUKHD, then on track 112° to
 CCOKE, then on track 112°.
 Expect RADAR vectors to final approach course.



BUKHD
 Turbojets/Turboprops: Expect **8000**
 Reciprocating: Expect **5000**

NOTE: RADAR required.
 NOTE: RNAV 1.
 NOTE: GPS required.



NOTE: Chart not to scale.

BUKHD THREE ARRIVAL (RNAV)

ATLANTA, GEORGIA

SE-4, 22 FEB 2024 to 21 MAR 2024

SE-4, 22 FEB 2024 to 21 MAR 2024

(AWSON.DEHAN3) 21336

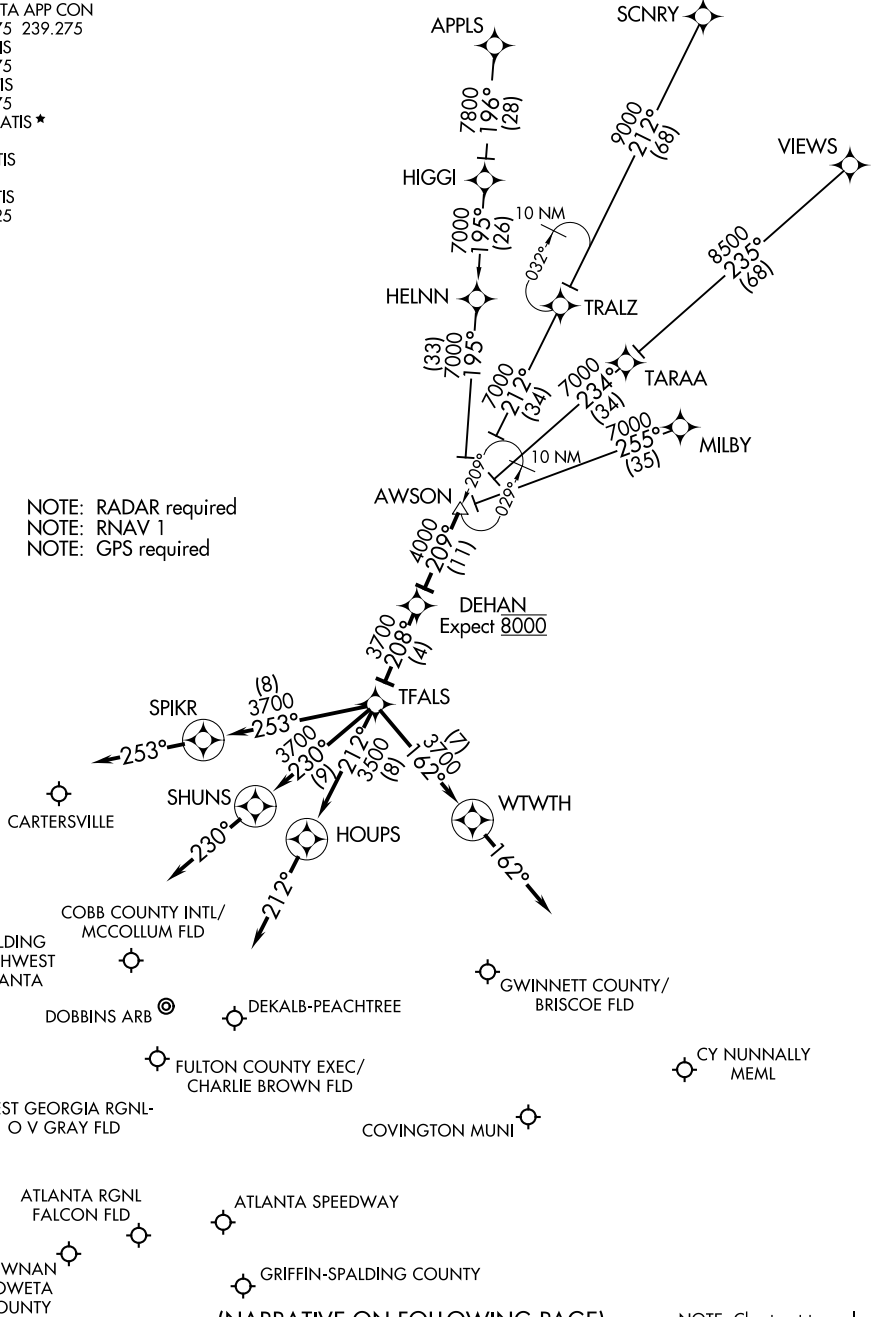
AL-469 (FAA)

DEHAN THREE ARRIVAL (RNAV)

ATLANTA, GEORGIA

ATLANTA APP CON
 126.975 239.275
 FTY ATIS
 120.175
 LZU ATIS
 132.275
 KMGE ATIS ★
 269.5
 PDK ATIS
 128.4
 RYY ATIS
 128.125

NOTE: RADAR required
 NOTE: RNAV 1
 NOTE: GPS required



(NARRATIVE ON FOLLOWING PAGE)

NOTE: Chart not to scale.

DEHAN THREE ARRIVAL (RNAV)

(AWSON.DEHAN3) 16JUL20

ATLANTA, GEORGIA

SE-4, 22 FEB 2024 to 21 MAR 2024

SE-4, 22 FEB 2024 to 21 MAR 2024

ARRIVAL ROUTE DESCRIPTION

- APPLS TRANSITION (APPLS.DEHAN3)
- MILBY TRANSITION (MILBY.DEHAN3)
- SCNRY TRANSITION (SCNRY.DEHAN3)
- VIEWS TRANSITION (VIEWS.DEHAN3)

LANDING KHMP/KD73/KLZU/K6A2/KCVC: From AWSON on track 209° to DEHAN, then on track 208° to TFALS, then on track 162° to WTWTH, then on track 162°. Expect RADAR vectors to final approach course.

LANDING KPDK/KFFC/KCCO: From AWSON on track 209° to DEHAN, then on track 208° to TFALS, then on track 212° to HOUPS, then on track 212°. Expect RADAR vectors to final approach course.

LANDING KRYV/KVPC/KPUJ/KCTJ: From AWSON on track 209° to DEHAN, then on track 208° to TFALS, then on track 253° to SPIKR, then on track 253°. Expect RADAR vectors to final approach course.

LANDING KFTY/KMGE: From AWSON on track 209° to DEHAN, then on track 208° to TFALS, then on track 230° to SHUNS, then on track 230°. Expect RADAR vectors to final approach course.

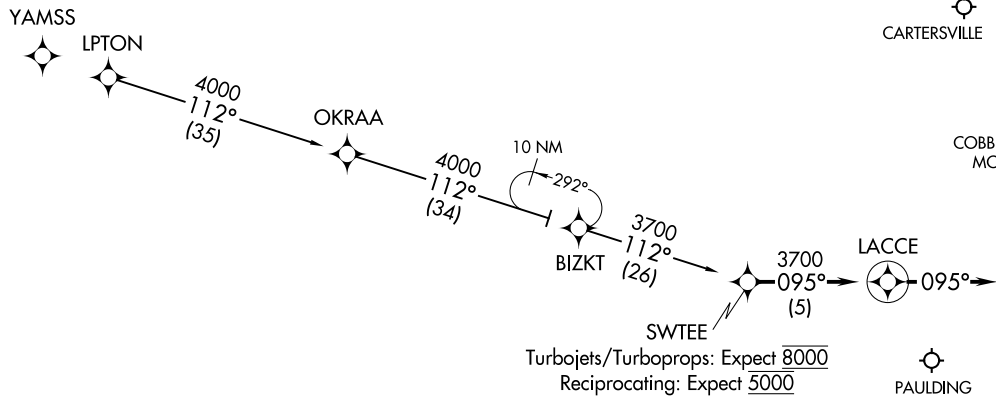
SE-4, 22 FEB 2024 to 21 MAR 2024

SE-4, 22 FEB 2024 to 21 MAR 2024

SWTTEE TWO ARRIVAL (RNAV)
(SWTTEE, SWTTEE2) 21MAY20

(SWTTEE, SWTTEE2) 21336
SWTTEE TWO ARRIVAL (RNAV)

ATLANTA APP CON
126.975 257.9
FTY ATIS
120.175
LZU ATIS
132.275
KMGE ATIS*
269.5
PDK ATIS
128.4
RYY ATIS
128.125



NOTE: RADAR required.
NOTE: RNAV 1.
NOTE: GPS required.

ARRIVAL ROUTE DESCRIPTION

BIZKT TRANSITION (BIZKT.SWTTEE2)
LPTON TRANSITION (LPTON.SWTTEE2)

From SWTEE on track 095° to LACCE, then on track 095°.
Expect RADAR vectors to final approach course.

ATLANTA, GEORGIA

ATLANTA, GEORGIA

A1-469 (FAA)

NOTE: Chart not to scale.

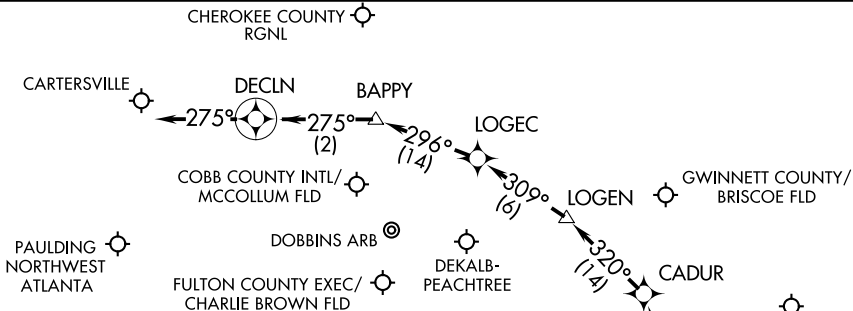
WRGNZ THREE ARRIVAL (RNAV)
(WRGNZ.WRGNZ3) 16JUL20

(WRGNZ.WRGNZ3) 21336
WRGNZ THREE ARRIVAL (RNAV)

AL-469 (FAA)

ATLANTA APP CON
128.575 343.675
FTY ATIS
120.175
LZU ATIS
132.275
*KMGE ATIS
269.5
PDK ATIS
128.4
RYY ATIS
128.125

NOTE: RADAR required.
NOTE: RNAV 1.
NOTE: GPS required.



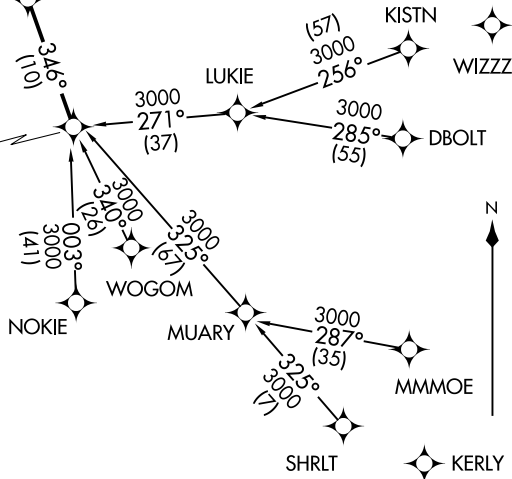
ARRIVAL ROUTE DESCRIPTION

- DBOLT TRANSITION (DBOLT.WRGNZ3)
- KISTN TRANSITION (KISTN.WRGNZ3)
- LUKIE TRANSITION (LUKIE.WRGNZ3)
- MMMOE TRANSITION (MMMOE.WRGNZ3)
- NOKIE TRANSITION (NOKIE.WRGNZ3)
- SHRLT TRANSITION (SHRLT.WRGNZ3)
- WOGOM TRANSITION (WOGOM.WRGNZ3)

From WRGNZ on track 346° to SKYME, then on track 346° to CADUR, then on track 320° to LOGEN, then on track 309° to LOGEC, then on track 296° to BAPPY, then on track 275° to DECLN, then on track 275°. Expect RADAR vectors to final approach course.

LOST COMMUNICATIONS: Cross WRGNZ at or below 11000, cross CADUR at or below 7000, cross DECLN at 4000; after DECLN proceed direct to desired approach IAF for filed airport.

WRGNZ
Turbojets: Expect 11000 250K
Turboprops: Expect 8000 or 6000
Reciprocating: Expect 6000 or 4000



NOTE: Chart not to scale.

ATLANTA, GEORGIA

ATLANTA, GEORGIA