

# BUKHD THREE ARRIVAL (RNAV)

ATLANTA, GEORGIA

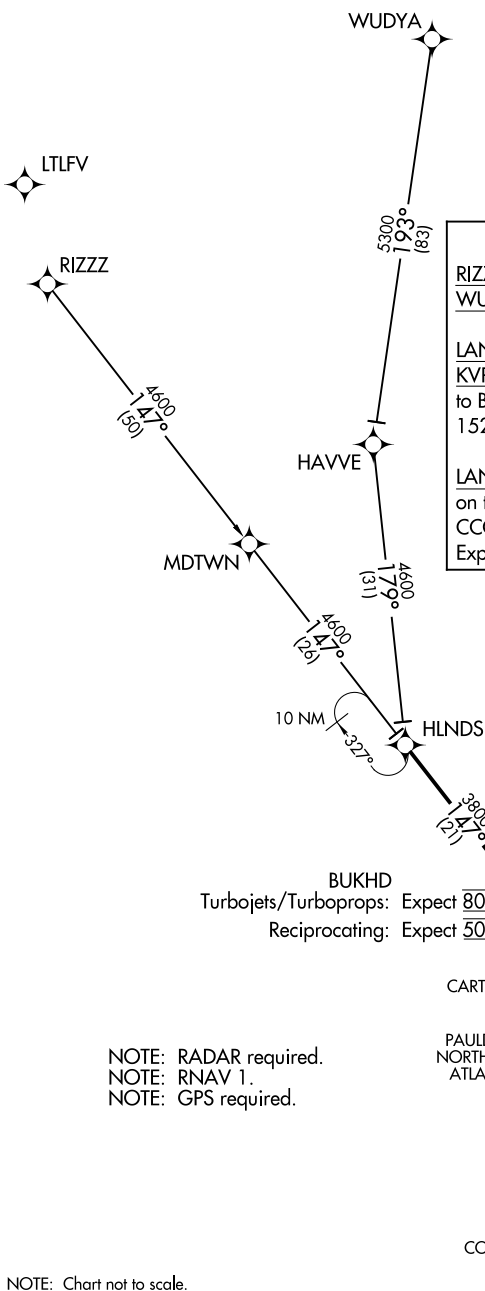
ATLANTA APP CON  
 121.0 268.7  
 FTY ATIS  
 120.175  
 LZU ATIS  
 132.275  
 ★ KMGE ATIS  
 269.5  
 PDK ATIS  
 128.4  
 RYY ATIS  
 128.125

**ARRIVAL ROUTE DESCRIPTION**

RIZZZ TRANSITION (RIZZZ.BUKHD3)  
WUDYA TRANSITION (WUDYA.BUKHD3)

LANDING KHMP/KFFC/KRYV/KFTY/K6A2/KCCO/  
 KVPC/KPUJ/KMGE: From HLNDS on track 147°  
 to BUKHD, then on track 152° to DRINC, then on track  
 152°. Expect RADAR vectors to final approach course.

LANDING KPDK/KD73/KLZU/KCVC: From HLNDS  
 on track 147° to BUKHD, then on track 112° to  
 CCOKE, then on track 112°. Expect RADAR vectors to final approach course.



SE-4, 22 FEB 2024 to 21 MAR 2024

SE-4, 22 FEB 2024 to 21 MAR 2024

NOTE: RADAR required.  
 NOTE: RNAV 1.  
 NOTE: GPS required.

NOTE: Chart not to scale.

# BUKHD THREE ARRIVAL (RNAV)

(HLNDS.BUKHD3) 16JUL20

ATLANTA, GEORGIA

(AWSON.DEHAN3) 21336

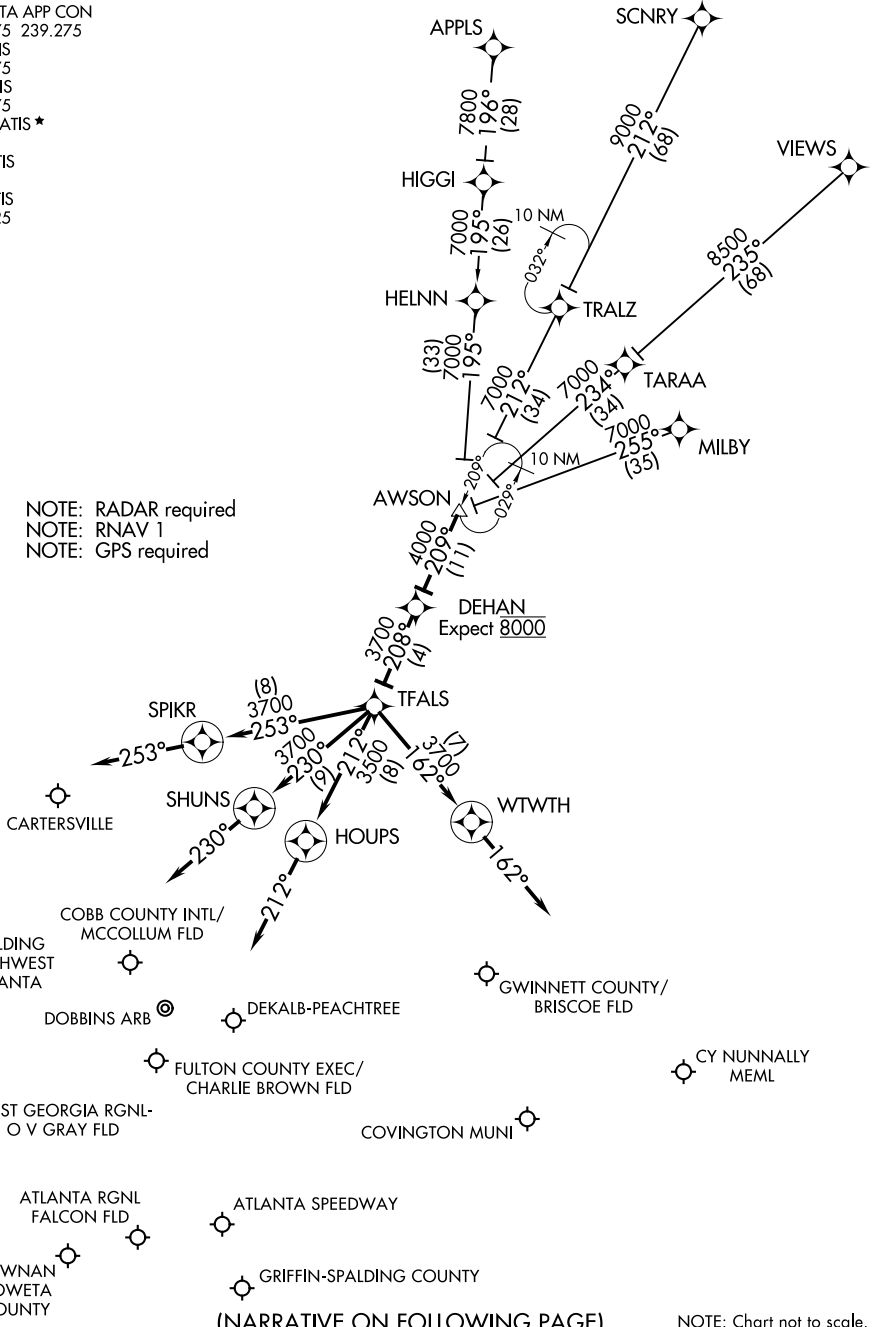
AL-469 (FAA)

# DEHAN THREE ARRIVAL (RNAV)

ATLANTA, GEORGIA

ATLANTA APP CON  
 126.975 239.275  
 FTY ATIS  
 120.175  
 LZU ATIS  
 132.275  
 KMGE ATIS ★  
 269.5  
 PDK ATIS  
 128.4  
 RYY ATIS  
 128.125

NOTE: RADAR required  
 NOTE: RNAV 1  
 NOTE: GPS required



(NARRATIVE ON FOLLOWING PAGE)

NOTE: Chart not to scale.

# DEHAN THREE ARRIVAL (RNAV)

(AWSON.DEHAN3) 16JUL20

ATLANTA, GEORGIA

SE-4, 22 FEB 2024 to 21 MAR 2024

SE-4, 22 FEB 2024 to 21 MAR 2024

ARRIVAL ROUTE DESCRIPTION

APPLS TRANSITION (APPLS.DEHAN3)

MILBY TRANSITION (MILBY.DEHAN3)

SCNRY TRANSITION (SCNRY.DEHAN3)

VIEWS TRANSITION (VIEWS.DEHAN3)

LANDING KHMP/KD73/KLZU/K6A2/KCVC: From AWSON on track 209° to DEHAN, then on track 208° to TFALS, then on track 162° to WTWTH, then on track 162°. Expect RADAR vectors to final approach course.

LANDING KPDK/KFFC/KCCO: From AWSON on track 209° to DEHAN, then on track 208° to TFALS, then on track 212° to HOUPS, then on track 212°. Expect RADAR vectors to final approach course.

LANDING KRYV/KVPC/KPUJ/KCTJ: From AWSON on track 209° to DEHAN, then on track 208° to TFALS, then on track 253° to SPIKR, then on track 253°. Expect RADAR vectors to final approach course.

LANDING KFTY/KMGE: From AWSON on track 209° to DEHAN, then on track 208° to TFALS, then on track 230° to SHUNS, then on track 230°. Expect RADAR vectors to final approach course.

SE-4, 22 FEB 2024 to 21 MAR 2024

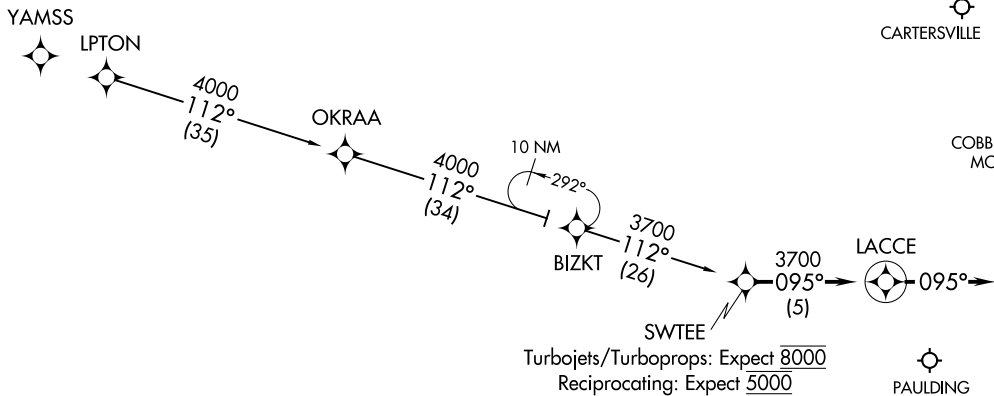
SE-4, 22 FEB 2024 to 21 MAR 2024

SWTTEE TWO ARRIVAL (RNAV)  
(SWTTEE, SWTTEE2) 21MAY20

(SWTTEE, SWTTEE2) 21336  
SWTTEE TWO ARRIVAL (RNAV)

A1-469 (FAA)

ATLANTA APP CON  
126.975 257.9  
FTY ATIS  
120.175  
LZU ATIS  
132.275  
KMGE ATIS\*  
269.5  
PDK ATIS  
128.4  
RYY ATIS  
128.125



NOTE: RADAR required.  
NOTE: RNAV 1.  
NOTE: GPS required.

ARRIVAL ROUTE DESCRIPTION

BIZKT TRANSITION (BIZKT.SWTTEE2)  
LPTON TRANSITION (LPTON.SWTTEE2)

From SWTTEE on track 095° to LACCE, then on track 095°.  
Expect RADAR vectors to final approach course.



NOTE: Chart not to scale.

ATLANTA, GEORGIA

ATLANTA, GEORGIA