

TACAN FOK Chan <b>47</b> (111.0)	APP CRS <b>063°</b>	Rwy Idg <b>9002</b> TDZE <b>57</b> Apt Elev <b>66</b>
--	------------------------	---

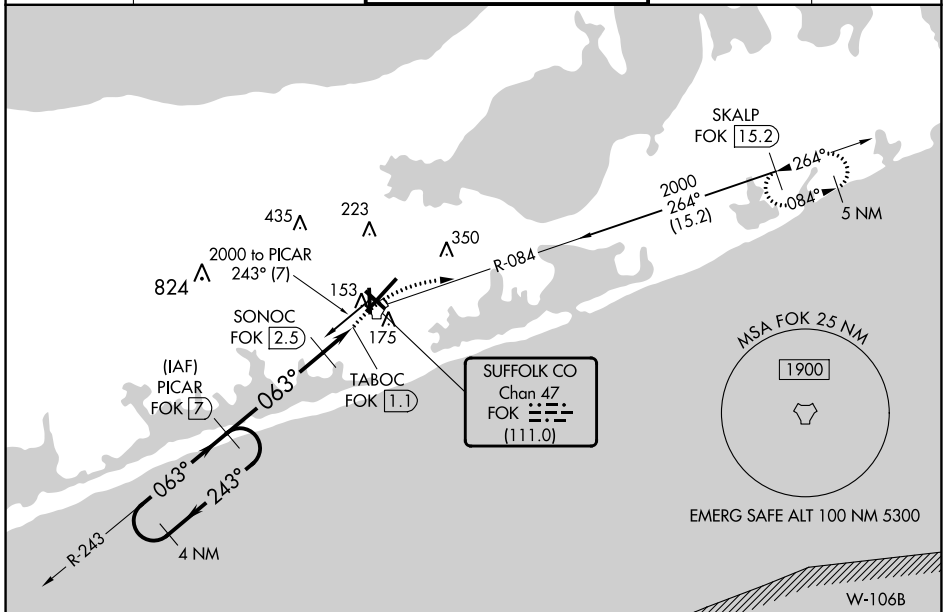
# TACAN RWY 6

FRANCIS S GABRESKI (F'OK)

**⚠** Helicopter visibility reduction below 3/4 SM not authorized. When local altimeter setting not received, use Shirley altimeter setting and increase all MDAs 40 feet and S-6 Cat C/D visibility 1/8 SM and Circling Cat C visibility 1/4 SM. Circling Rwy 1.5 NA at night.

**MISSED APPROACH:** Climbing right turn to 2000 on FOK TACAN R-084 to SKALP/15.2 DME and hold.

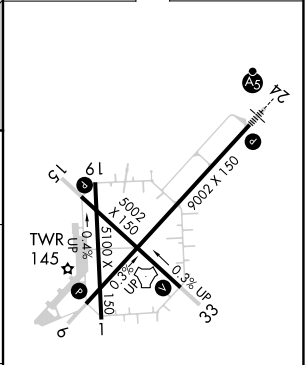
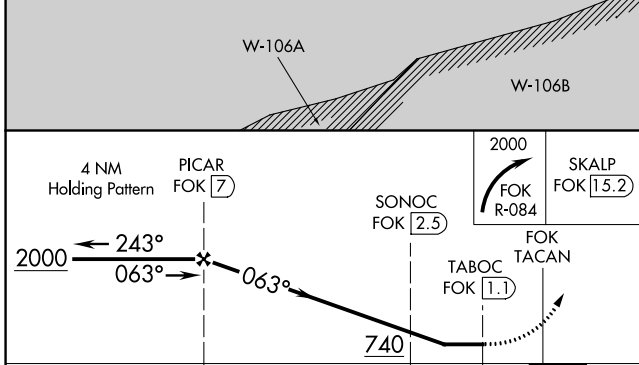
ASOS <b>119.925</b>	NEW YORK APP CON <b>125.975 343.65</b>	SUFFOLK COUNTY TOWER ★ <b>125.3 (CTAF) 236.6</b>	GND CON <b>121.8 225.4</b>	UNICOM <b>122.95</b>
------------------------	---	---	-------------------------------	-------------------------



NE-2, 22 FEB 2024 to 21 MAR 2024

NE-2, 22 FEB 2024 to 21 MAR 2024

ELEV <b>66</b>	TDZE <b>57</b>
----------------	----------------



CATEGORY	A	B	C	D
S-6		420-1	363 (400-1)	
CIRCLING	600-1 534 (600-1)	620-1 554 (600-1)	700-1 3/4 634 (700-1 3/4)	740-2 1/4 674 (700-2 1/4)

HIRL Rwy 6-24 **1**  
MIRL Rwy 15-33 **1**  
REIL Rws 6, 15, and 33 **1**