

VORTAC CMI <b>110.0</b> Chan <b>37</b>	APP CRS <b>025°</b>	Rwy Idg TDZE Apt Elev <b>N/A</b> <b>N/A</b> <b>735</b>
--	------------------------	---

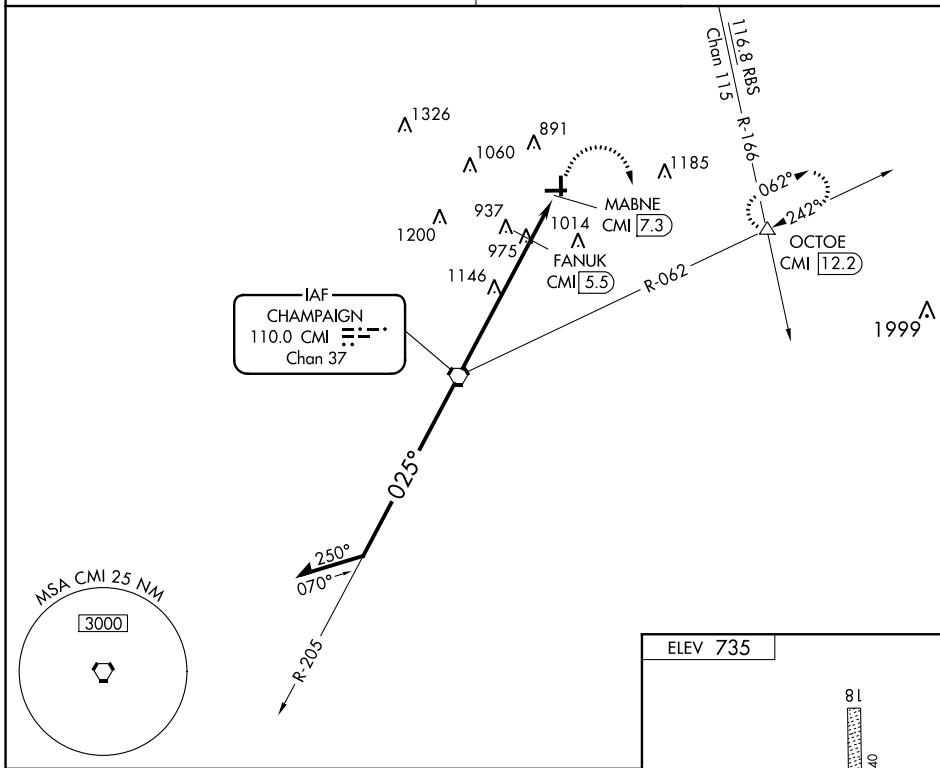
**VOR-A**  
FRASCA FIELD (C16)

**NA** Circling NA to Rwy's 18 and 36. Use Champaign altimeter setting; when not received, use Decatur altimeter setting and increase all MDAs 80 feet and Cats A/B/D visibilities ¼ SM, Cat C visibility ½ SM; increase FANUK DME fix minimums Cats C/D visibility ½ SM.

MISSED APPROACH: Climb to 2000 then climbing right turn to 2500 on CMI VORTAC R-062 to OCTOE INT and hold.

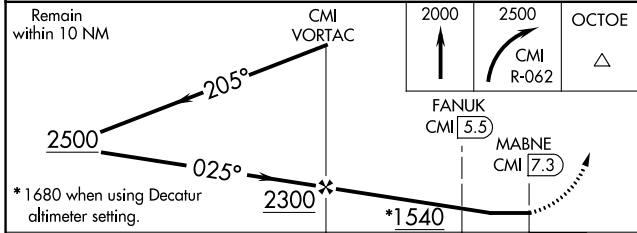
CHAMPAIGN APP CON ★  
**121.35 285.65**

UNICOM  
**122.8 (CTAF)**



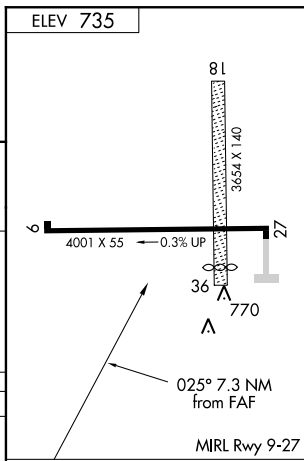
EC-3, 03 DEC 2020 to 31 DEC 2020

EC-3, 03 DEC 2020 to 31 DEC 2020



CATEGORY	A	B	C	D
<b>CIRCLING</b>	1540-1 805 (900-1)	1540-1¼ 805 (900-1¼)	1540-2¼ 805 (900-2¼)	1560-2¾ 825 (900-2¾)

FANUK DME FIX MINIMUMS			
<b>CIRCLING</b>	1300-1	565 (600-1)	1420-2 685 (700-2)
			1560-2¾ 825 (900-2¾)



FAF to MAP 7.3 NM					
Knots	60	90	120	150	180
Min:Sec	7:18	4:52	3:39	2:55	2:26